

USBTM ENDOSCOPY



**PRODUCT
CATALOG**



4-Way Articulation HD Videoscopes

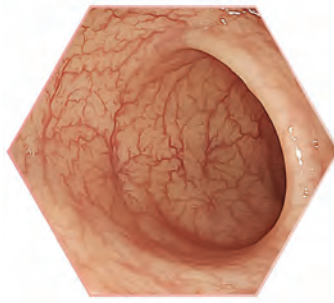


USB high definition veterinary videoscopes is the ultimate solution for anyone seeking professional-grade medical imaging technology. With its 1080dpi HD resolution, you'll be able to capture ultra-clear visuals of your subject matter with ease, making diagnoses and reporting that much better. Not only that, thanks to its simple connection to a standard USB port on a laptop or desktop system, there's no need for a separate processor - you'll be up and running in no time, just add an OLYMPUS® style light source (*sold separately*).

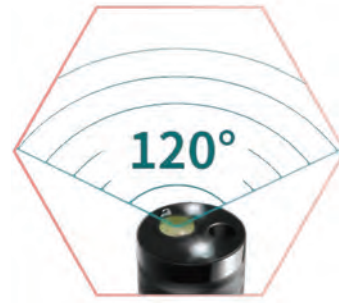
Make it truly compact and portable with the new **VHP-1315 All-In-One system** with built-in air pump, high-intensity LED light source, HD video touchscreen built on standard MS Windows®-Compatible laptop technology.

You'll be able to take hi-rez DICOM still images and video sequences with **iCap® Image Capture and Reporting System software**. iCap® also integrates with **CloudEndo™ vendor-neutral Cloud PACS service** so you can share your images and video with referring veterinarians, colleagues or clients - making collaboration a breeze. And with a laptop, the system is completely portable, meaning you can take your system with you wherever you go - perfect for the mobile veterinarian.

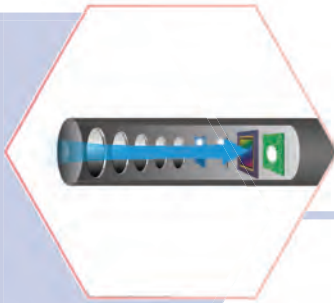
Best of all, USB video endoscope models are available for small animal and large animal/equine use, so you can be sure to find the perfect fit for your needs. Invest in our USB high definition veterinary videoscopes today and experience the difference for yourself.



**High-Resolution
HD Imaging**



**120° Wide
Field-Of-View**



**CMOS Chip
In The Tip**



**Angulation Locks;
Easy-Access Buttons**



MODEL No.	DIAMETER	WORKING LENGTH	BIOPSY CHANNEL	RANGE OF BENDING	
				Up/Down	Left/Right
GU-160H	6.8mm	150cm	2.2mm	Up: 210° Down: 130°	Left/Right: 100°
GU-170HQ	8.0mm	150cm	2.8mm	Up: 180° Down: 130°	Left/Right: 100°
GU-190H	9.2mm	150cm	2.8mm	Up: 210° Down: 130°	Left/Right: 100°
GU-190FHPL	9.2mm	300cm	2.8mm	Up: 210° Down: 130°	Left/Right: 100°
GU-1B0FHPL	11.5mm	350cm	3.2mm	Up/Down: 180°	Left/Right: 160°





2-Way Articulation HD Videoscopes

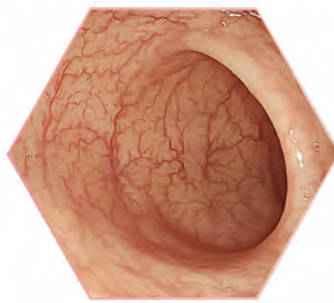


***Finally! A Veterinary videoscope
specifically designed for bronchoscopy!***

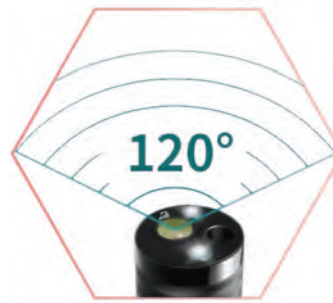
Introducing the Veterinary videoscopes designed exclusively for bronchoscopy! This "plug and play" bronch-style videoscope comes with user-friendly software for seamless navigation.

Upgrade to **iCap® version 8 DiCOM**, and send your cases via WiFi or Mobile Hotspot to your PACS - and/or **CloudEndo™**.

With longer insertion tube lengths, it allows easy access in larger patients while maintaining a small diameter suitable for toy breeds and feline patients. The high-resolution imaging ensures accurate diagnosis and treatment, while the slim handle guarantees your comfort during use.



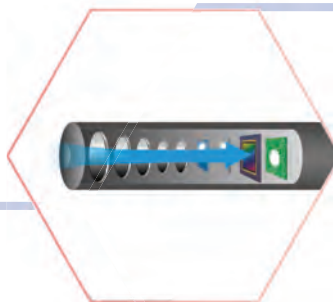
**High-Resolution
HD Imaging**



**120° Wide
Field-Of-View**



**Rotating
Insertion Tube**



**CMOS Chip-in-Tip
Built-In LED Lighting**



**Easy-Access
Buttons**

MODEL No.	DIAMETER	WORKING LENGTH	BIOPSY CHANNEL	BENDING	ROTATION
EU-120	2.8mm	610mm	1.2mm	Up: 180° Down: 130°	Left/Right: 120°
EU-130	3.8mm	1000mm	1.5mm	Up: 180° Down: 130°	Left/Right: 120°
EU-140H	4.8mm	1000mm	2.0mm	Up: 180° Down: 130°	Left/Right: 120°
EU-150H	5.8mm	1500mm	2.8mm	Up: 180° Down: 130°	Left/Right: 120°





VHP-1315 All-In-One HD Video System



- 15.6-Inch Full HD Monitor with Touch Screen sensor and superior image quality (1920 x 1080dpi)
- Features efficient medical report management
- Versatile compatibility with both *rigid and flexible endoscopes
- Lightweight, foldable design ensures easy mobility - comes with *hardy, padded carrying cases for easy transport
- Includes wireless small keyboard and mouse, and USB Foot Pedal control
- Comes with iCap® v5 high-grade imaging and reporting software (upgradeable to v8 DICOM for additional fee)
- Built from a Standard PC Laptop hardware! - Runs on Microsoft® Windows® Operating System - can be used just like any Windows-PC
- Ideal for small animal and equine vets, animal hospitals, pet clinics, and mobile veterinarians.

+NOTE: Comes in two (2) alluminum, foam-padded cases - one for the VHP-1315 unit itself, another smaller case for the power supply, keyboard, mouse and accessories, and shipped in a 21"x19"x13" box; shipping weight is 35lbs (15.9Kg)

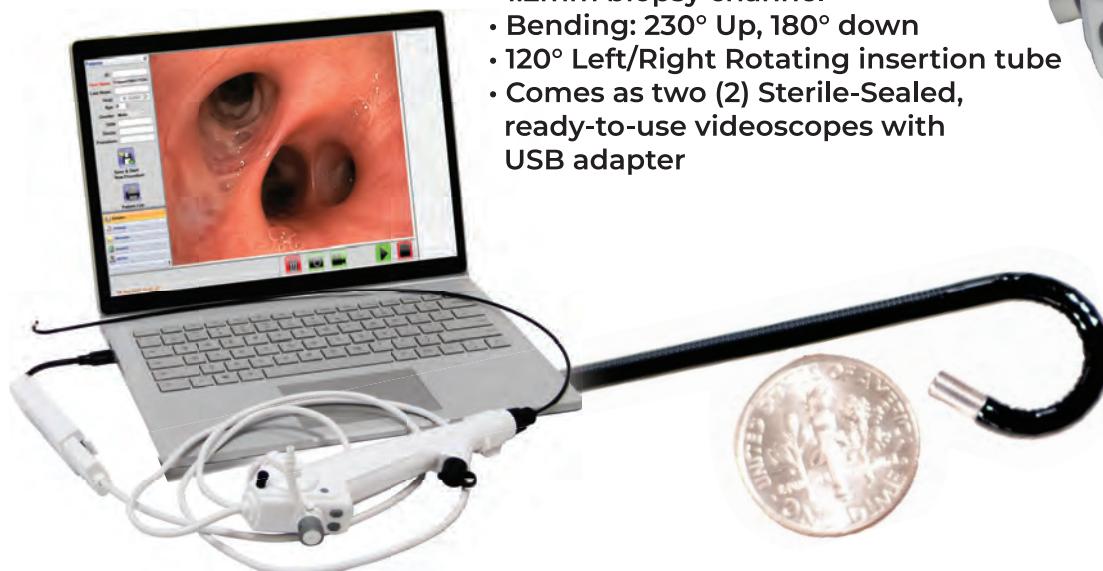
*Accepts the iCap® USB Camera CM-U12 for use with Rigid Endoscopy & select flexible fiberscopes (sold separately).

BRD-1PF Disposable HD Video Bronchoscope



Works on a standard Windows® PC with iCap® or on the VHP-1315 All-In-One.

- HD video quality
- 2.8mm insertion tube diameter
- 60cm (600mm) working length
- 1.2mm biopsy channel
- Bending: 230° Up, 180° down
- 120° Left/Right Rotating insertion tube
- Comes as two (2) Sterile-Sealed, ready-to-use videoscopes with USB adapter





and



With the combination of **iCap®** and **CloudEndo™**, you'll be able to capture high-resolution HD images and video with **DICOM encoding**.

Utilize iCap's report generation to make and output reports to give to your clients or for your physical client files.

Upload your DICOM images and video to The Cloud with **CloudEndo™**, the **Vendor-Neutral PACS service**.

iCap version 8 integrates directly with CloudEndo™ so you can save directly to the Cloud upon ending the study.

With **CloudEndo™**, you can share your images and video securely to colleagues, referring Vets, or your clients.



CM-U12

Add an iCap® USB Camera to you system to expand to Rigid Endoscopy or to adapt a Flexible Fiberscope*

MODEL No.	DESCRIPTION
CM-U12	iCapCam HD - USB 1920 x 1080 video color C-mount camera with iCap V5. Zoom Coupler included.
MLS-1R	Portable bright LED light source for Rigid Telescopes. Connects to ACMI threading of bare light guide post. Comes with 2-sets of rechargeable Li-Ion batteries and USB charging station.

*NOTE: Fiberscopes require a separate eyepiece adapter (not included with USB camera)



**endoscopy
support
services, inc.**



Better Products for Better Medicine
endoscopy.com

3 Fallsview Lane • Brewster, NY 10509
P: (845) 277-1700 • F: (845) 277-7300

Sales Dept. eMail: sales@endoscopy.com

USB Products on Web: endoscopy.com/VetUSB

